



# Order Form for Swaging Dies (in mm)

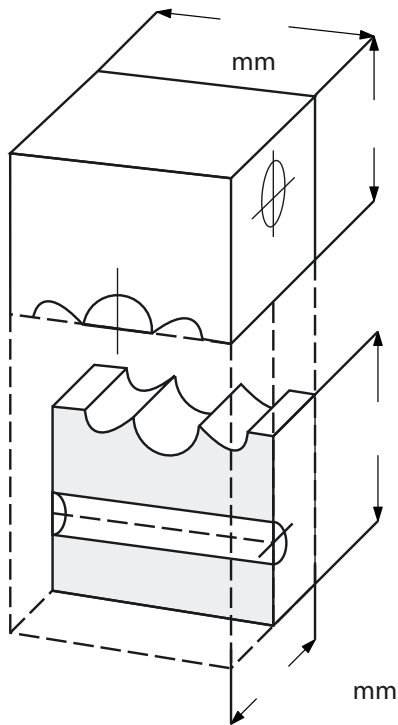
Company:  Contact:

Adress:

Tel / Fax:

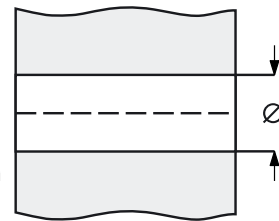
Swager:  Type:

Die / No.



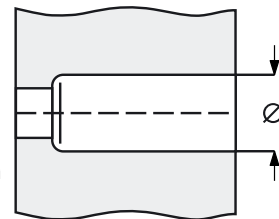
### Form A

straight through  
 $\emptyset$  mm



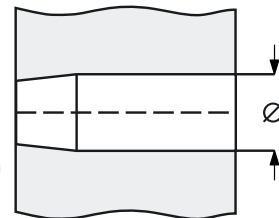
### Form B

rounded  
 $\emptyset$  mm



### Form C

taper  
 $\emptyset$  mm

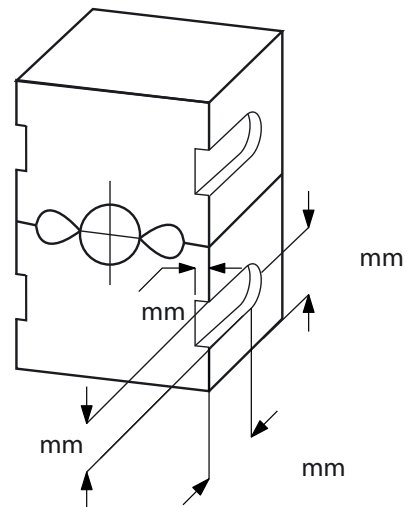
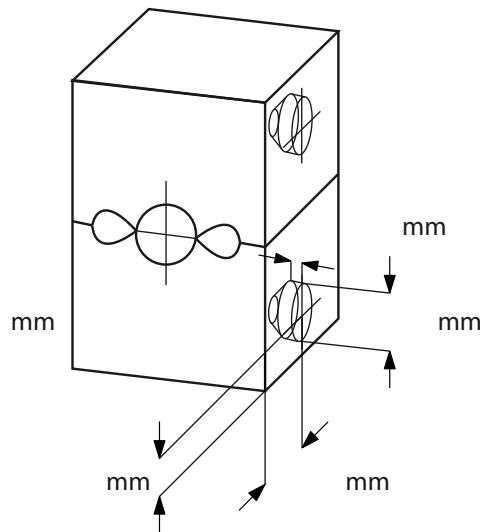
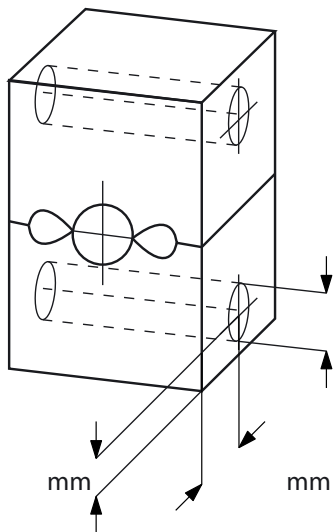


bolt hole

blind hole

slot

both sides



Notes: