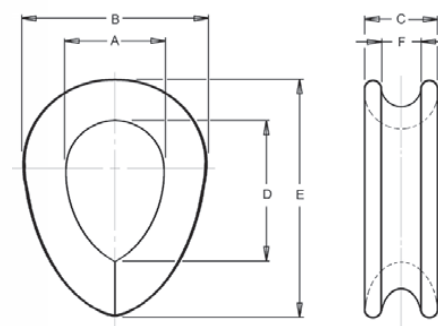




# Thimbles

Material: Low carbon mild steel

Finish: Hot-dip galvanised and comply with the requirement of EN 13411 – 1



Diameter		A	B	C (min)	D	E	F (min)	Weight per 100
mm	ins	mm	mm	mm	mm	mm	mm	kg
6	1/4	20	35	11.5	31	48	7.5	3.3
8	5/16	22	38	12.7	33	54	7.9	5.2
9/10	3/8	25	48	14.3	38	64	10.3	8.4
11	7/16	29	54	17.5	41	73	12.7	10.8
12/13	1/2	32	59	20.6	44	79	14.3	14.2
16	5/8	41	75	22.2	59	98	15.9	27.2
19/20	3/4	51	92	28.6	73	124	20.6	47
22	7/8	57	102	31.8	83	133	22.2	64
26	1	70	119	34.9	108	162	27	99
28	1-1/8	76	133	38.1	111	178	28.6	135
32	1-1/4	95	152	41.3	133	197	33.3	180
35	1-3/8	105	175	47.6	152	229	38.1	264
38	1-1/2	114	197	54	165	254	41.3	336
41	1-5/8	114	197	55.6	165	254	42.9	350
44	1-3/4	127	229	57.2	178	286	50.8	570
52	2	140	257	69.8	203	330	63.5	750